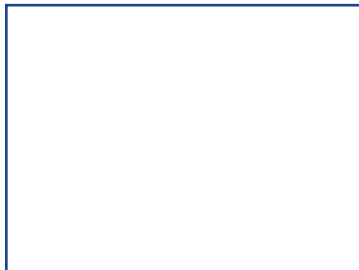
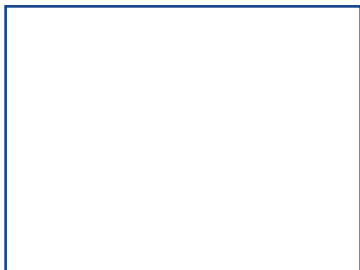


... because metal recovery performance is your first priority!

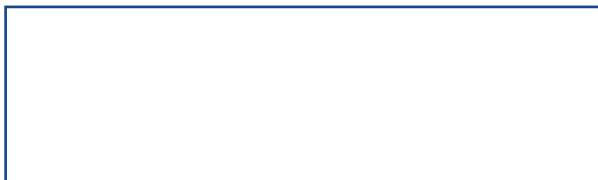


Unlike an *eccentric rotor*, the *concentric rotor* of the SGM ECS results in more space for permanent magnet blocks (= **greater magnetic energy**) which, combined with higher rotor RPM (= **higher magnetic frequency**) provides superior metal recovery performance for your targets of metal concentration.



Direct drive for maximum rotor speed (up to 3000 RPM), with bearing protection and designed with a massive frame and rotor support for great robustness. Easy access to the inside of the ECS for user friendly maintenance.

Ferrous drum magnet mounted prior to the ECS for ferrous recovery and rotor protection against burn through.

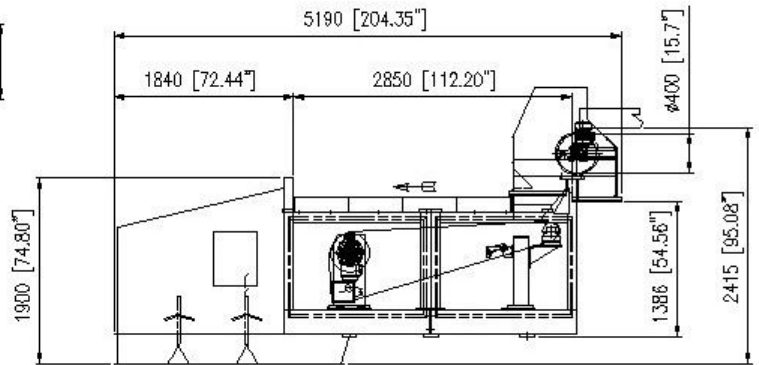
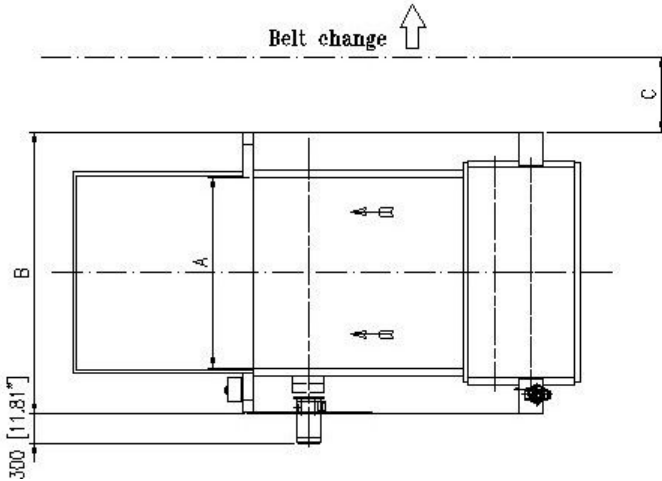


The SGM ECS offers outstanding recovery performance on aluminum long throw.

2014

TECHNICAL SPECIFICATIONS

ECS for Auto Shredder Residue (ASR) for material with size range 3/4" to 5".



Model	Belt speed	Capacity (*)
SIS 40	3 - 10 ft/sec	10-12 t/h
SIS 60	3 - 10 ft/sec	15-18 t/h
SIS 80	3 - 10 ft/sec	20-25 t/h

Dimensions	SIS 40	SIS 60	SIS 80
A	37.5"	57.0"	76.7"
B	70.5"	90.16"	113.4"
C	60.0"	80.0"	110.0"

(*) Data based on ASR density of 40 lbs/ft³ (metal content around 10%).

Special features

- Rotor direct drive allowing for 3000 RPM continuously (for SIS 40", 60").
- VFD for both rotor and belt.
- Stainless steel sleeve protection on rotor.
- Electronic emergency fast braking system (no clamping).



- Shells provided with ceramic tiles.
- Option: double splitter hopper for long throw.
- Option: roller splitter.
- Option: brush cleaning system for automatic belt cleaning.